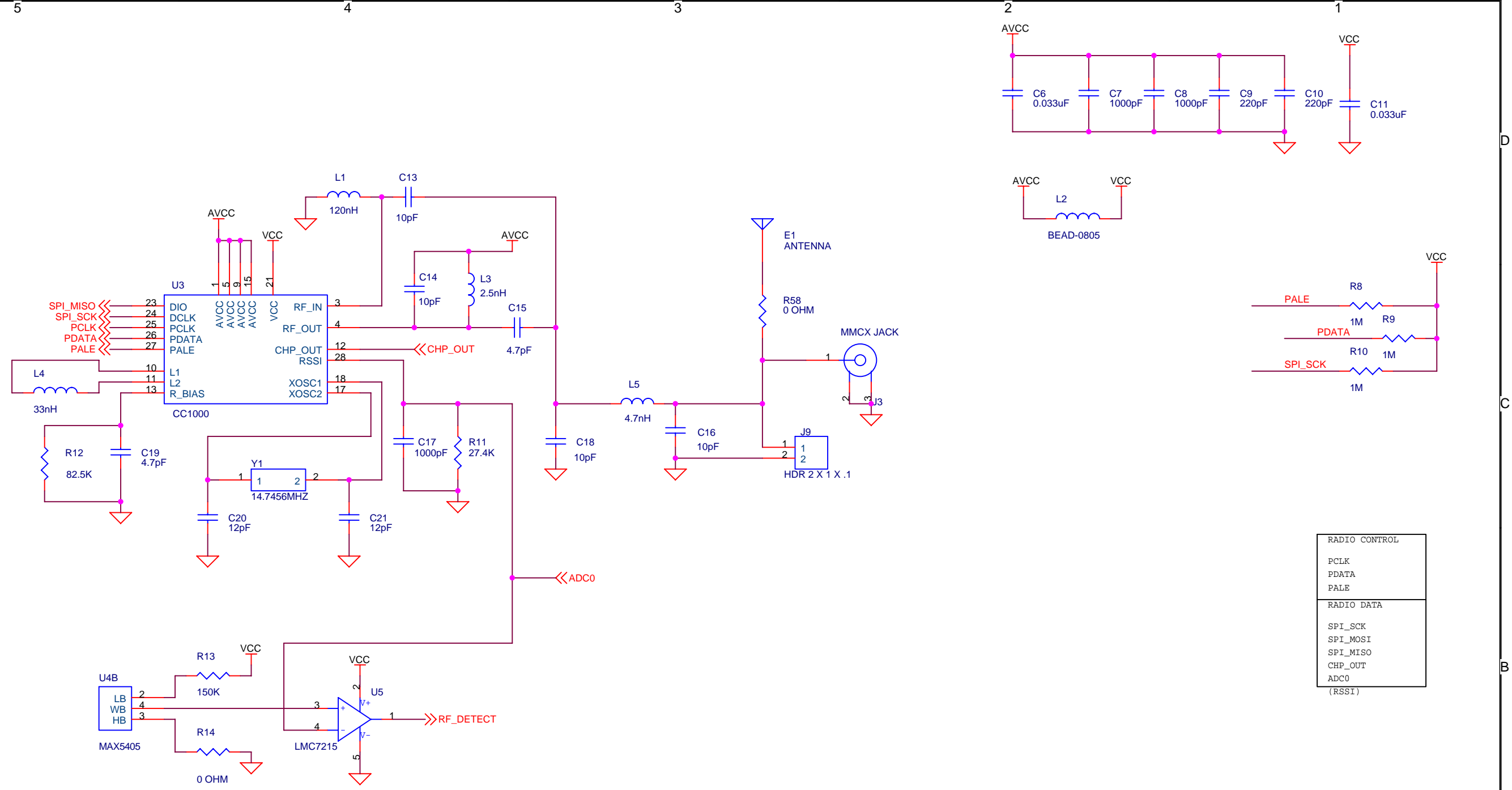


CRICKET V2.0  
 NETWORKS AND MOBILE SYSTEMS GROUP  
 CSAIL@MIT  
 LEAD DESIGNER: NISSANKA B. PRIYANTHA

EXCEPT AS MAY BE OTHERWISE PROVIDED BY CONTRACT, THIS DRAWING OR SPECIFICATION IS THE PROPRIETARY PROPERTY OF CROSSBOW TECHNOLOGY INC. IT IS ISSUED IN STRICT CONFIDENCE AND SHALL NOT BE REPRODUCED OR COPIED OR USED (PARTIALLY OR WHOLLY) IN ANY MANNER WITHOUT PRIOR EXPRESS WRITTEN AUTHORIZATION OF CROSSBOW TECHNOLOGY INC.

DWN	M. GRIMMER	DATE	9-2-03	<b>Crossbow Technology</b> 41 Daggett Drive San Jose, CA. 95134	
CHK	M. GRIMMER	DATE	9-2-03		
APRVD				Title	
X			XX/XX/XX	MTS450CA CRICKET RS232	
APRVD				Size	Document Number
X			XX/XX/XX	B	6310-0335-01
				Date:	Wednesday, October 20, 2004
				Sheet	1 of 6
				Rev	A

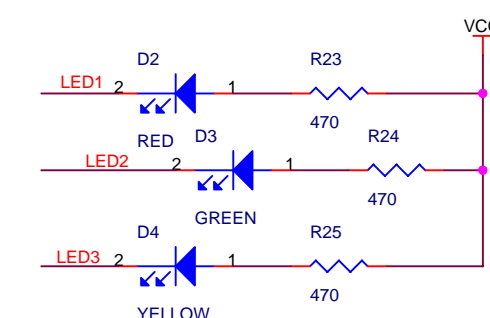
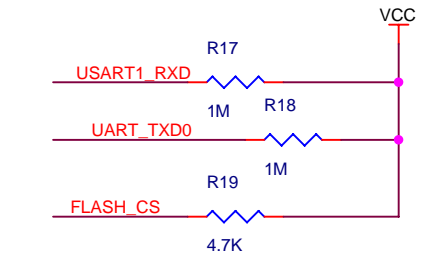
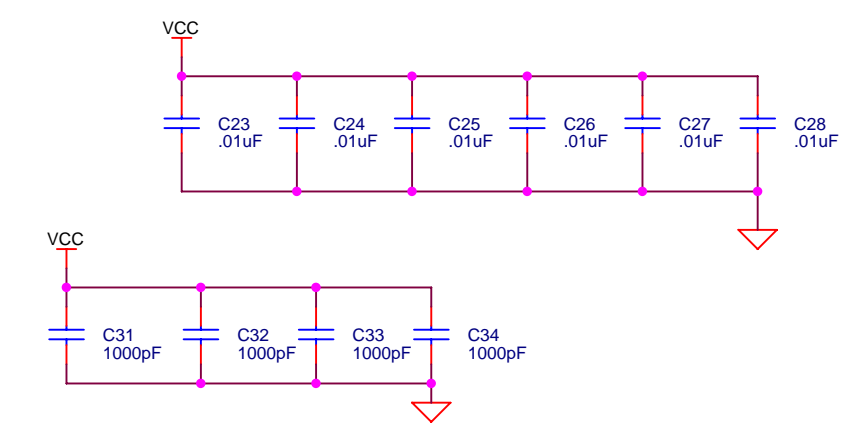
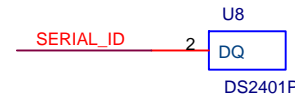
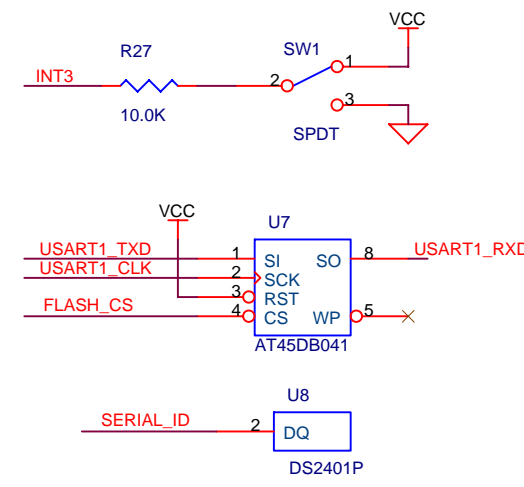
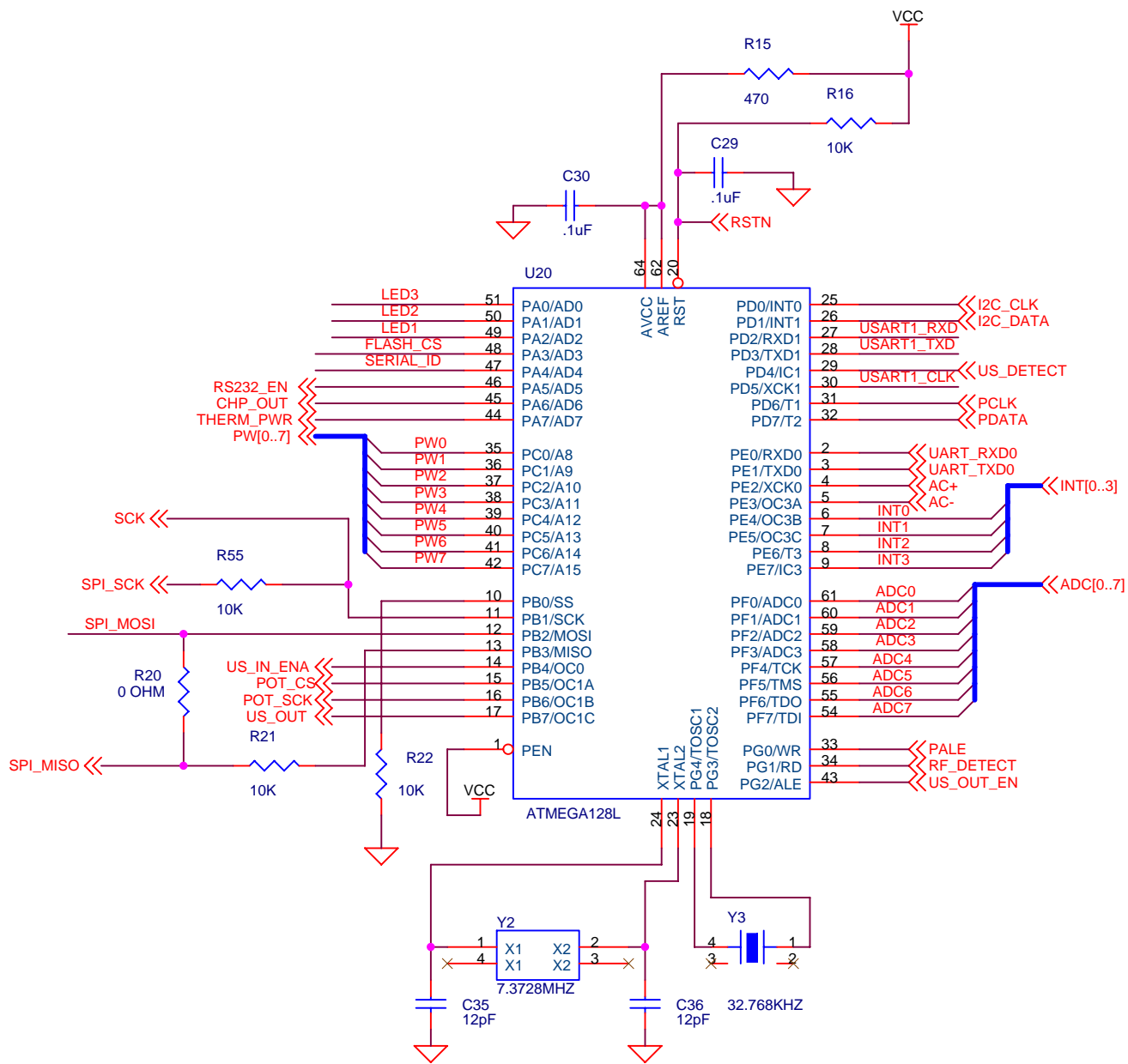


RADIO CONTROL	
PCLK	
PDATA	
PALE	
RADIO DATA	
SPI_SCK	
SPI_MOSI	
SPI_MISO	
CHP_OUT	
ADC0	
(RSSI)	

CRICKET V2.0  
 NETWORKS AND MOBILE SYSTEMS GROUP  
 CSAIL@MIT  
 LEAD DESIGNER: NISSANKA B. PRIYANTHA

EXCEPT AS MAY BE OTHERWISE PROVIDED BY CONTRACT, THIS DRAWING OR SPECIFICATION IS THE PROPRIETARY PROPERTY OF CROSSBOW TECHNOLOGY INC. IT IS ISSUED IN STRICT CONFIDENCE AND SHALL NOT BE REPRODUCED OR COPIED OR USED (PARTIALLY OR WHOLLY) IN ANY MANNER WITHOUT PRIOR EXPRESS WRITTEN AUTHORIZATION OF CROSSBOW TECHNOLOGY INC.

DWN	M. GRIMMER	DATE	9-2-03	<b>Crossbow Technology</b> 41 Daggett Drive San Jose, CA. 95134	
CHK	M. GRIMMER	DATE	9-2-03		
APRVD				Title	
X		XX/XX/XX		MTS450CA CRICKET RS232	
APRVD				Size	Document Number
X		XX/XX/XX		B	6310-0335-01
				Date:	Wednesday, October 20, 2004
				Sheet	2 of 6
				Rev	A



RADIO CONTROL
PCLK
PDATA
PALE
RADIO DATA
SPI_SCK
SPI_MOSI
SPI_MISO
CHP_OUT
ADC0 (RSSI)

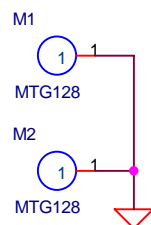
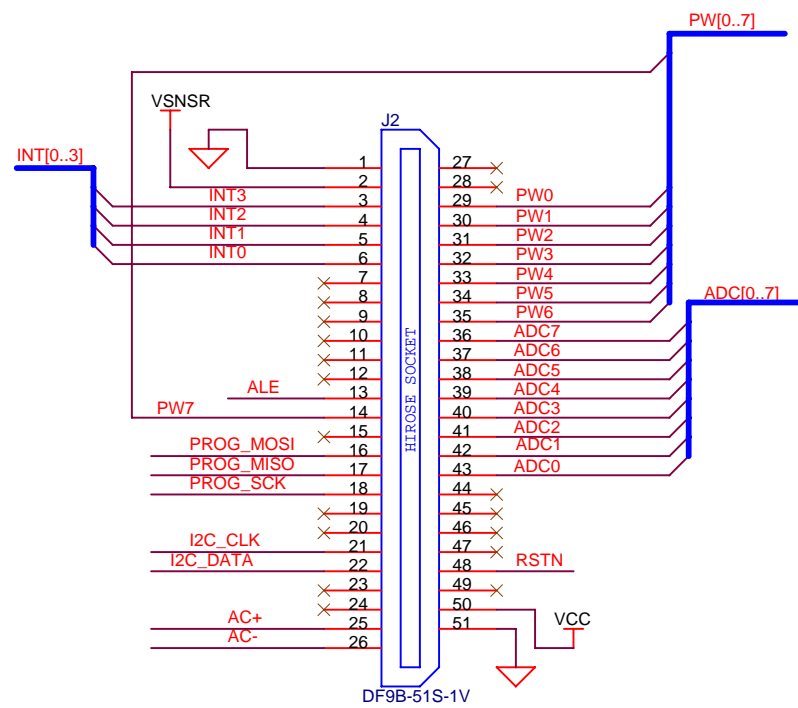
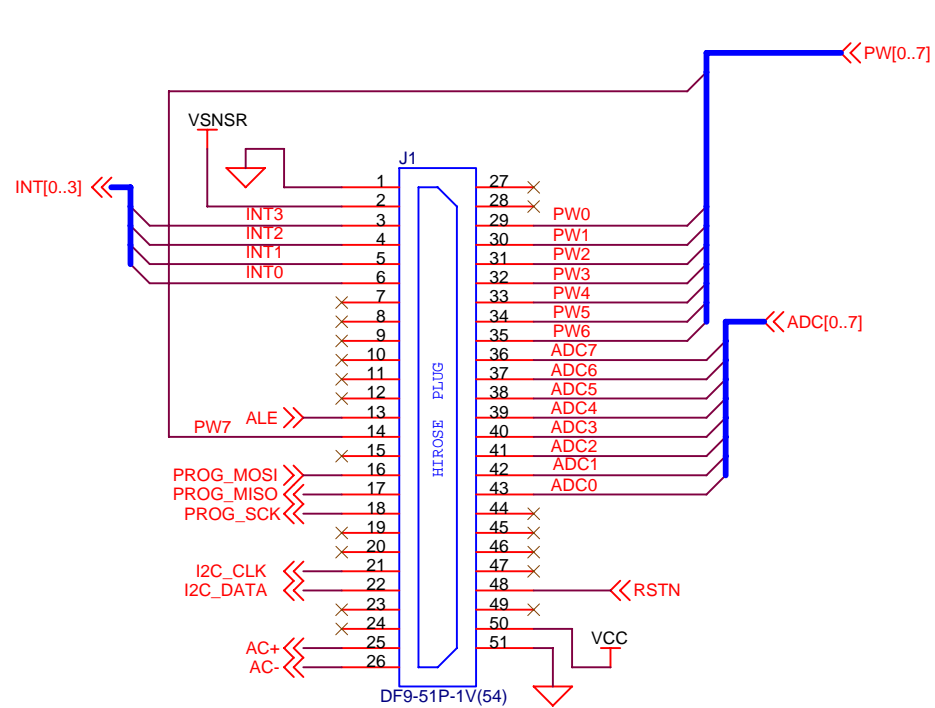
FLASH INTERFACE
FLASH_SI
FLASH_SO
FLASH_CLK
SERIAL_ID
UART INTERFACE
UART_RXD0
UART_TXD0
CONTROL INTERFACE
I2C_CLK
I2C_DATA

SENSOR INTERFACE
PW[0..7]
ADC[1..6]
VCC MONITOR
ADC7

CRICKET V2.0  
 NETWORKS AND MOBILE SYSTEMS GROUP  
 CSAIL@MIT  
 LEAD DESIGNER: NISSANKA B. PRIYANTHA

DWN	M. GRIMMER	DATE	9-2-03	<b>Crossbow Technology</b> 41 Daggett Drive San Jose, CA. 95134	
CHK	M. GRIMMER	DATE	9-2-03		
APRVD				Title	
X			XX/XX/XX	MTS450CA CRICKET RS232	
APRVD				Size	
X			XX/XX/XX	Document Number	
				6310-0335-01	Rev
				A	
Date: Wednesday, October 20, 2004				Sheet	3 of 6

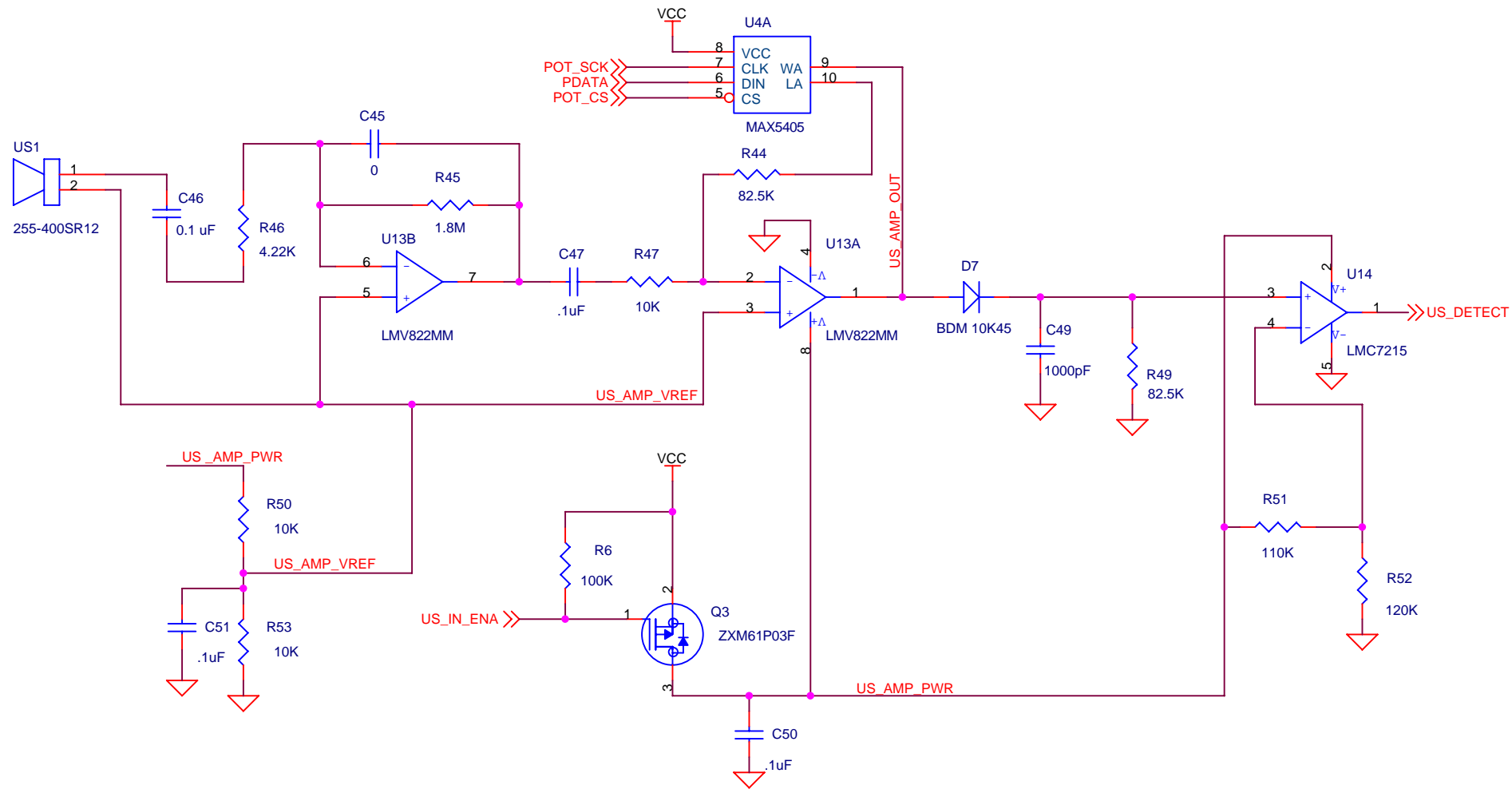
EXCEPT AS MAY BE OTHERWISE PROVIDED BY CONTRACT, THIS DRAWING OR SPECIFICATION IS THE PROPRIETARY PROPERTY OF CROSSBOW TECHNOLOGY INC. IT IS ISSUED IN STRICT CONFIDENCE AND SHALL NOT BE REPRODUCED OR COPIED OR USED (PARTIALLY OR WHOLLY) IN ANY MANNER WITHOUT PRIOR EXPRESS WRITTEN AUTHORIZATION OF CROSSBOW TECHNOLOGY INC.



CRICKET V2.0  
 NETWORKS AND MOBILE SYSTEMS GROUP  
 CSAIL@MIT  
 LEAD DESIGNER: NISSANKA B. PRIYANTHA

DWN	M. GRIMMER	DATE	9-2-03	<b>Crossbow Technology</b> 41 Daggett Drive San Jose, CA. 95134	
CHK	M. GRIMMER	DATE	9-2-03		
APRVD		DATE	XX/XX/XX	Title MTS450CA CRICKET RS232	
X		DATE	XX/XX/XX	Size	Document Number
APRVD		DATE	XX/XX/XX	B	6310-0335-01
X		DATE	XX/XX/XX	Date:	Wednesday, October 20, 2004
				Sheet	4 of 6
				Rev	A

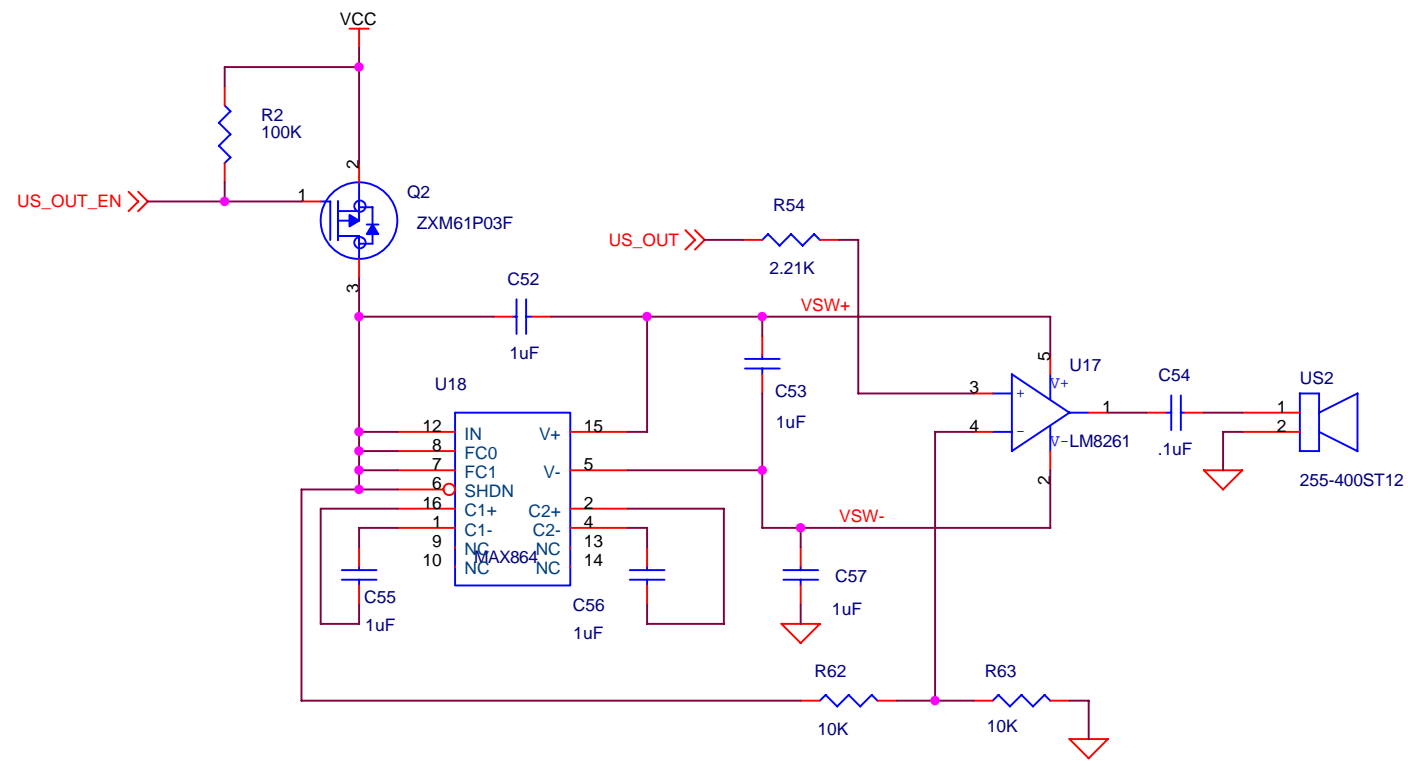
EXCEPT AS MAY BE OTHERWISE PROVIDED BY CONTRACT, THIS DRAWING OR SPECIFICATION IS THE PROPRIETARY PROPERTY OF CROSSBOW TECHNOLOGY INC. IT IS ISSUED IN STRICT CONFIDENCE AND SHALL NOT BE REPRODUCED OR COPIED OR USED (PARTIALLY OR WHOLLY) IN ANY MANNER WITHOUT PRIOR EXPRESS WRITTEN AUTHORIZATION OF CROSSBOW TECHNOLOGY INC.



CRICKET V2.0  
 NETWORKS AND MOBILE SYSTEMS GROUP  
 CSAIL@MIT  
 LEAD DESIGNER: NISSANKA B. PRIYANTHA

EXCEPT AS MAY BE OTHERWISE PROVIDED BY CONTRACT, THIS DRAWING OR SPECIFICATION IS THE PROPRIETARY PROPERTY OF CROSSBOW TECHNOLOGY INC. IT IS ISSUED IN STRICT CONFIDENCE AND SHALL NOT BE REPRODUCED OR COPIED OR USED (PARTIALLY OR WHOLLY) IN ANY MANNER WITHOUT PRIOR EXPRESS WRITTEN AUTHORIZATION OF CROSSBOW TECHNOLOGY INC.

DWN	M. GRIMMER	DATE	9-2-03	<b>Crossbow Technology</b> 41 Daggett Drive San Jose, CA. 95134
CHK	M. GRIMMER	DATE	9-2-03	
APRVD		DATE	XX/XX/XX	Title
X		DATE	XX/XX/XX	MTS450CA CRICKET RS232
APRVD		DATE	XX/XX/XX	Size
X		DATE	XX/XX/XX	B Document Number
		DATE	XX/XX/XX	6310-0335-01
		DATE	XX/XX/XX	Rev
		DATE	XX/XX/XX	A
		DATE	XX/XX/XX	Date: Wednesday, October 20, 2004
		DATE	XX/XX/XX	Sheet 5 of 6



CRICKET V2.0  
 NETWORKS AND MOBILE SYSTEMS GROUP  
 CSAIL@MIT  
 LEAD DESIGNER: NISSANKA B. PRIYANTHA

DWN	M. GRIMMER	DATE	9-2-03	<b>Crossbow Technology</b> 41 Daggett Drive San Jose, CA. 95134	
CHK	M. GRIMMER	DATE	9-2-03		
APRVD				Title MTS450CA CRICKET RS232	
X		XX/XX/XX		Size	Document Number
APRVD				<b>B</b>	<b>6310-0335-01</b>
X		XX/XX/XX		Date:	Wednesday, October 20, 2004
				Sheet	6 of 6
				Rev	<b>A</b>

EXCEPT AS MAY BE OTHERWISE PROVIDED BY CONTRACT, THIS DRAWING OR SPECIFICATION IS THE PROPRIETARY PROPERTY OF CROSSBOW TECHNOLOGY INC. IT IS ISSUED IN STRICT CONFIDENCE AND SHALL NOT BE REPRODUCED OR COPIED OR USED (PARTIALLY OR WHOLLY) IN ANY MANNER WITHOUT PRIOR EXPRESS WRITTEN AUTHORIZATION OF CROSSBOW TECHNOLOGY INC.